

# Pump

## REPLACEMENT INSTRUCTIONS

Kit Name	Pump Replacement Kit
Kit Part Number	107000658
Compatible Rinnai Products	For use with SENSEI RXP/CXP Condensing Tankless Water Heater Models: RXP199i, RXP160i, CXP199i and CXP160i

### **WARNING**

Failure to correctly assemble the components according to these instructions may result in electric shock, injury, or death.

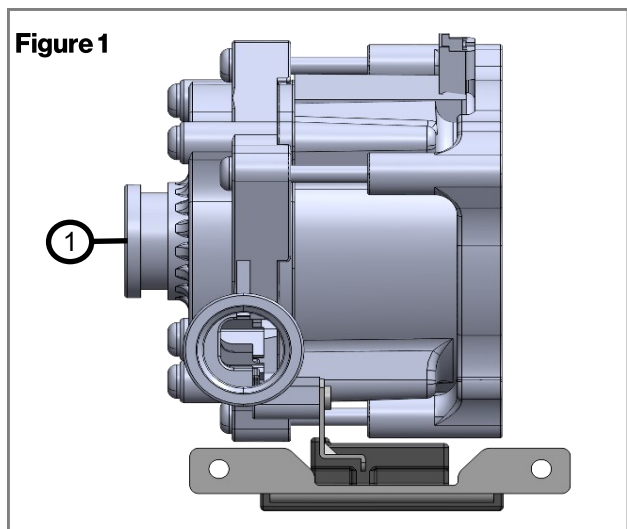
## Items Inside Product Box

Before installation, please make sure all parts are located inside the product box.

Table 1

Item #	Item	Qty
1	Pump	1
2	Pump Connector Cover (not shown)	1

Figure 1



### TOOLS/MATERIALS REQUIRED

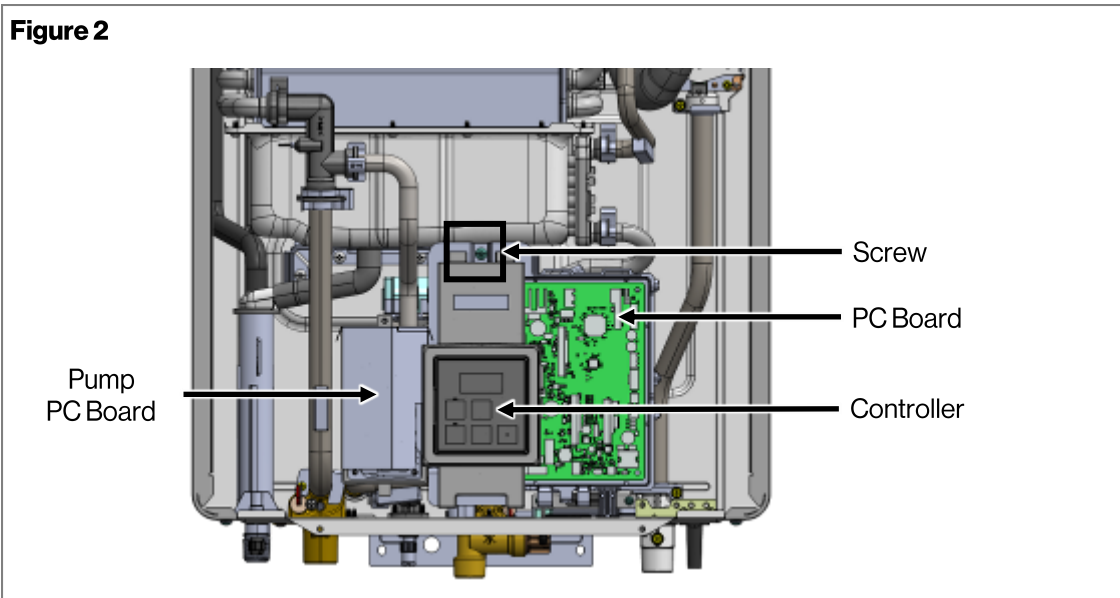
-  Phillips head screwdriver

## Instructions:

1. Turn off and disconnect 120 V power supply.
2. Turn off water supply.
3. Turn off gas supply.
4. Remove front panel by removing the two screws and releasing the two latches.

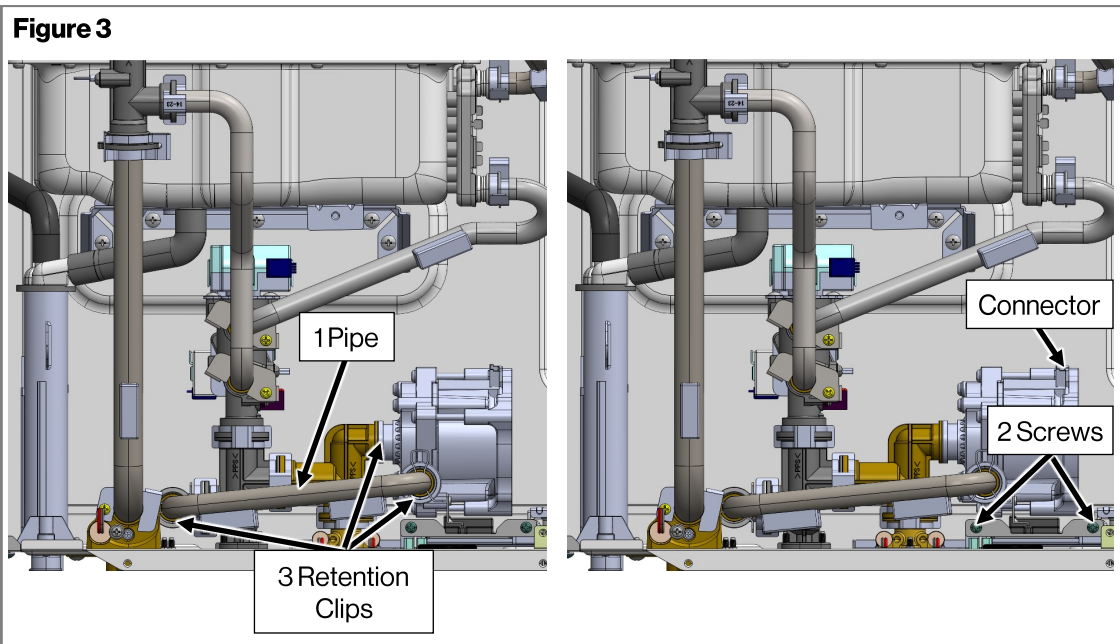
5. Remove 1 screw securing the PC Board to the unit. Remove controller, PC board and pump PC board from their location and let them rest next to the water heater (Figure 2).

**Figure 2**



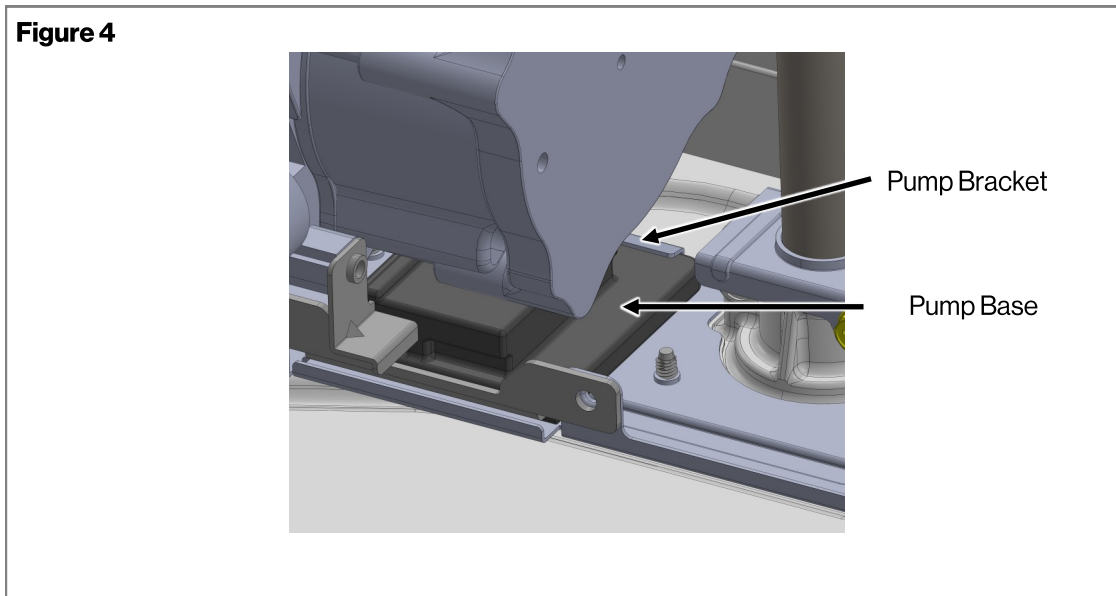
6. Remove 3 retention clips, 1 connection pipe and 2 screws, and disconnect a blue connector (Figure 3). Remove the existing pump.

**Figure 3**



# Pump Reassembly

1. Install the new pump assembly inside the water heater. Make sure that back end of pump base is properly seated into pump bracket (Figure 4). If the pump base is not properly seated, 2 screws may not be fastened at the next step.



2. Connect the pump connection elbow to the new pump using 1 retention clip. Install the new pump assembly inside the water heater and secure it by 2 screws (Figure 3). Reconnect the blue connector.
3. Reinstall the connection pipe and secure it by 2 retention clips (Figure 3).
4. Install pump connector cover into the new pump.
5. Install the controller, PC board and additional PC board to the water heater using 1 screw to secure them (Figure 2).
6. Reconnect and turn on 120 V power supply, water supply and gas supply.
7. Perform leak detection test for water.
8. Run the pump and examine if the pump has any performance issues.
9. After all checks have been successfully completed, reinstall the front cover using two screws and two latches to secure it in place.

